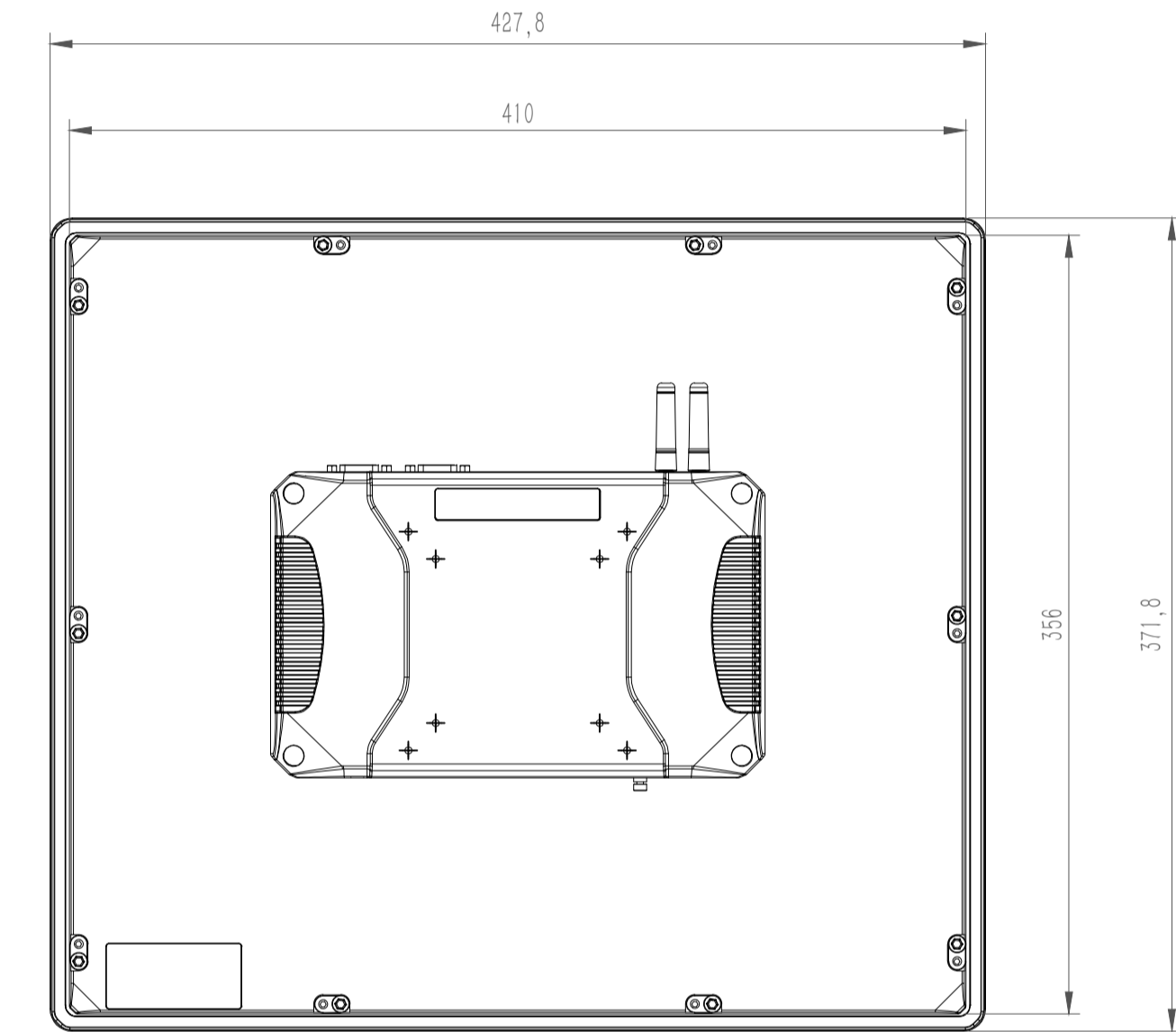
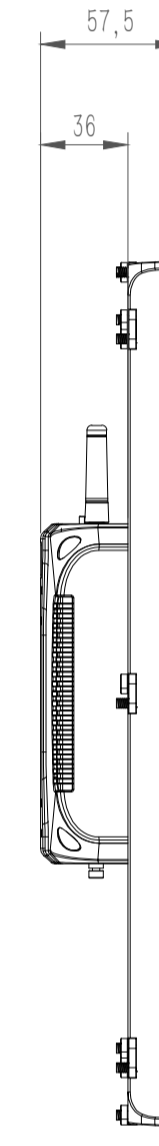
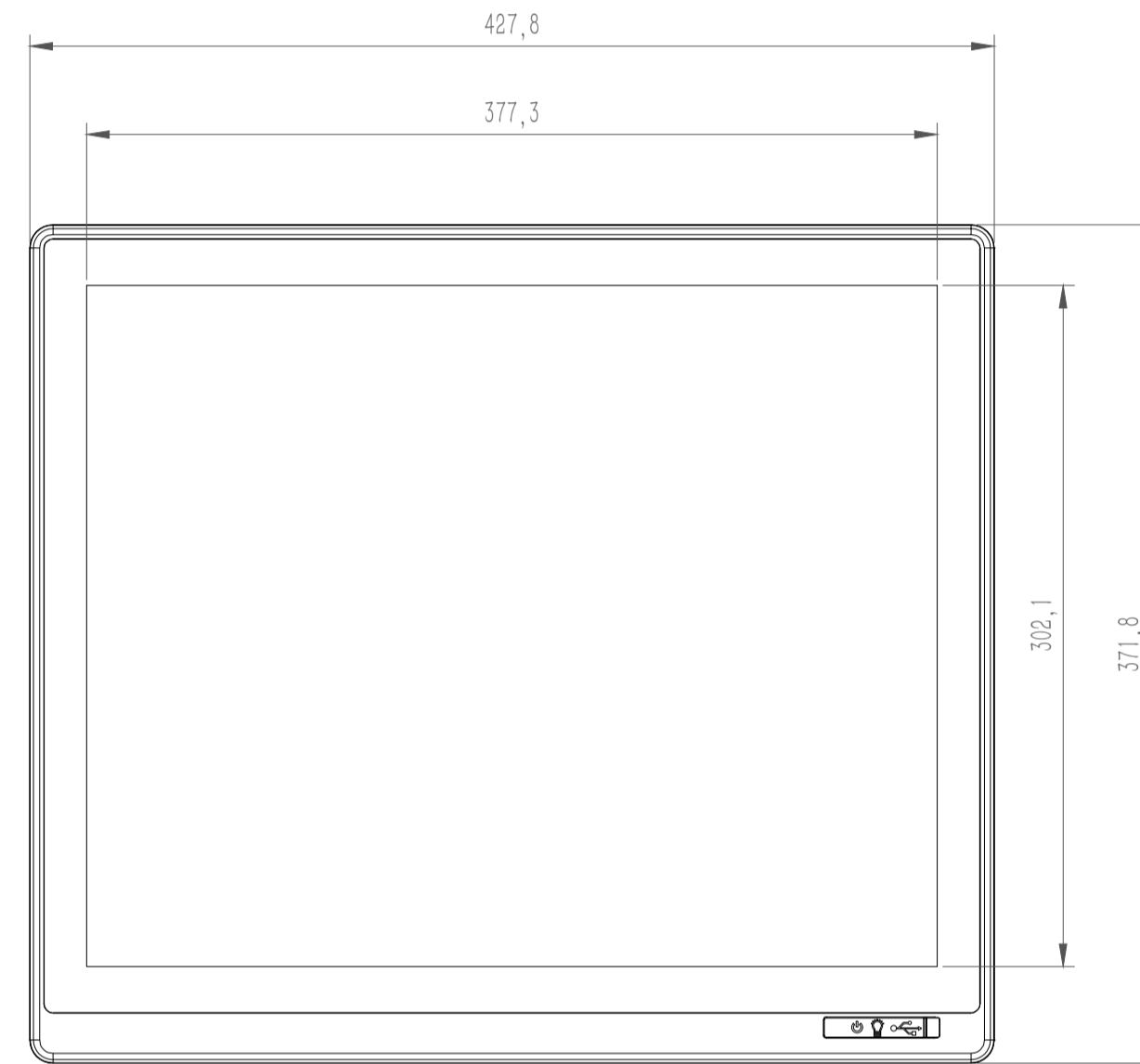
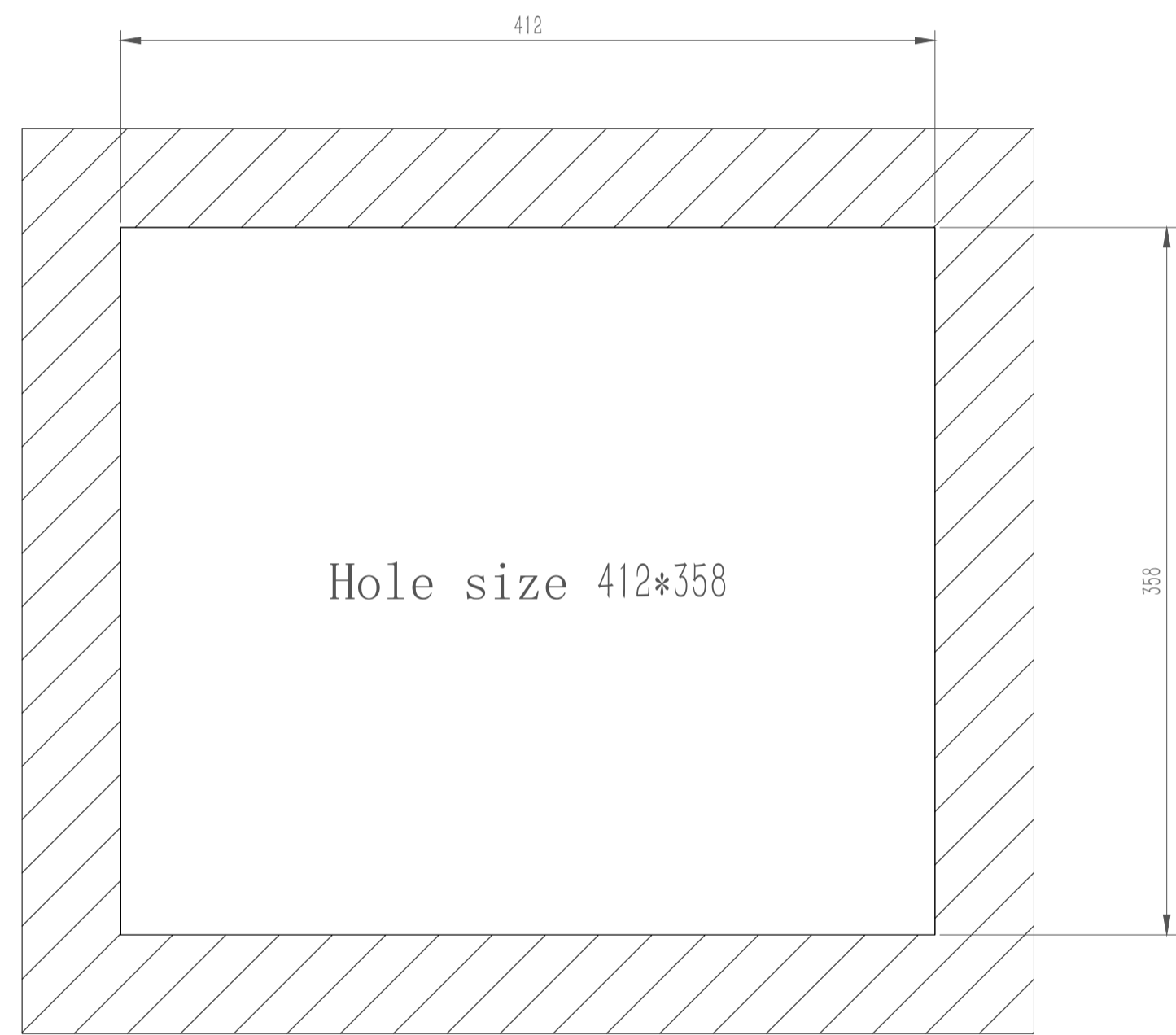


Rev.	Sym.	Q'TY	ICN/ECN NO	Changed by	Date
V1.0			the first release	Chen Shuai	2024-04-24

COMPANY CONFIDENTIAL



	Design	Chen Shuai	2024-04-24	Part Name			
	Check			Part No			
	Approve			Material	See Notes	Size: A0	Scale: 1:1
				Process	See Notes	Unit: mm	Sheet: 1 of 1